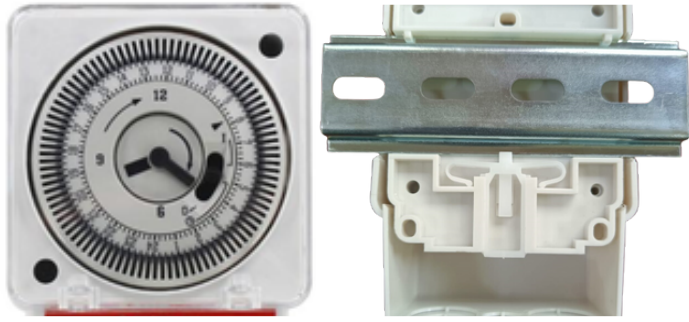


# ANALOG TIME SWITCH ATA-D INSTALLATION



## BASE / DIN MOUNTING

Remove the front glass from bottom side and lift upward, unscrew the unit from the socket pull out the housing, Time Switch Moduled and terminal cover as shown in the exploded view from right to left. Mount the socket on the connection as per the diagrams. Reassemble all the parts from left to right and unit is clamped with screw and front glass is fixed.

## FLUSH MOUNTING :

Insert the unit in the panel cut-out from the front, Remove the front glass from bottom side and lift upward, press the (two) inbuilt plastic screws and then rotate clockwise to secure the unit.

## NOTE :

To remove the plug-in connection socket from the main unit unscrew from the front by inserting the screw-drive on left hand bottom hole. Now you can make the connection to the socket.

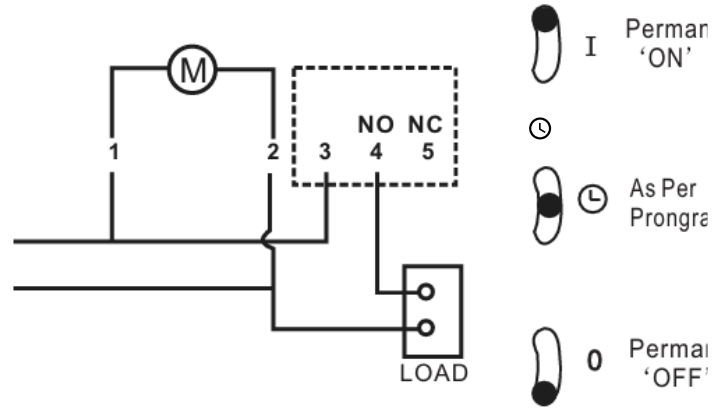
## DIN RAIL MOUNTING :

Break the housing from both the sides as marked. Locking clamps is not spring loaded. Pull out the locking clamp. Mount the unit on 35mm symmetrical DIN RAIL and Push back the locking clamp.

## SEALING ARRANGEMENT :

To avoid tampering with the set programme, the inbuilt sealing arrangement is provided. You can seal the Time Switch as shown in the figure.

# WIRING DIAGRAM & OVERRIDE SWITCH POSITION



## TIME SETTING :



To the Switching Dial in clockwise direction until. The current time (and day incase of weekly model) is almost opposite the marking arrow F and for fine adjustment turn the minute hand in the clockwise direction until the clock shows the current time.

## PROGRAMMING :

Required Switch on time is set on the Switching Dial by radially the corresponding black segments. Each segment on dial corresponds to 15 mins & on weekly Dial corresponds to 2 hours.

### Base Mounting Dimensions

